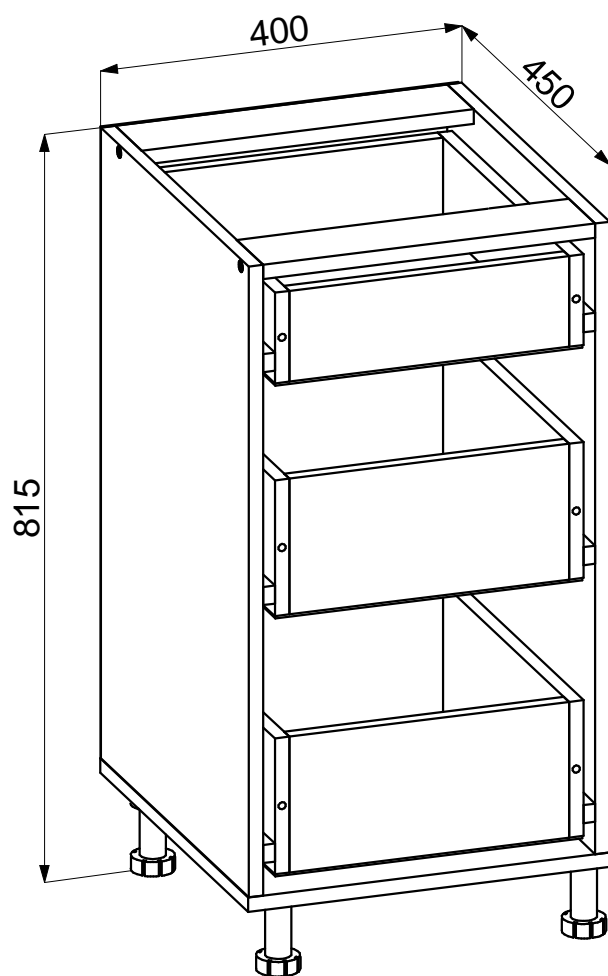







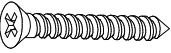
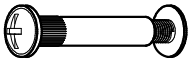
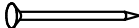
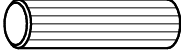
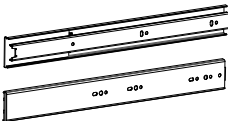
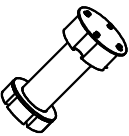


# Кухня Денира

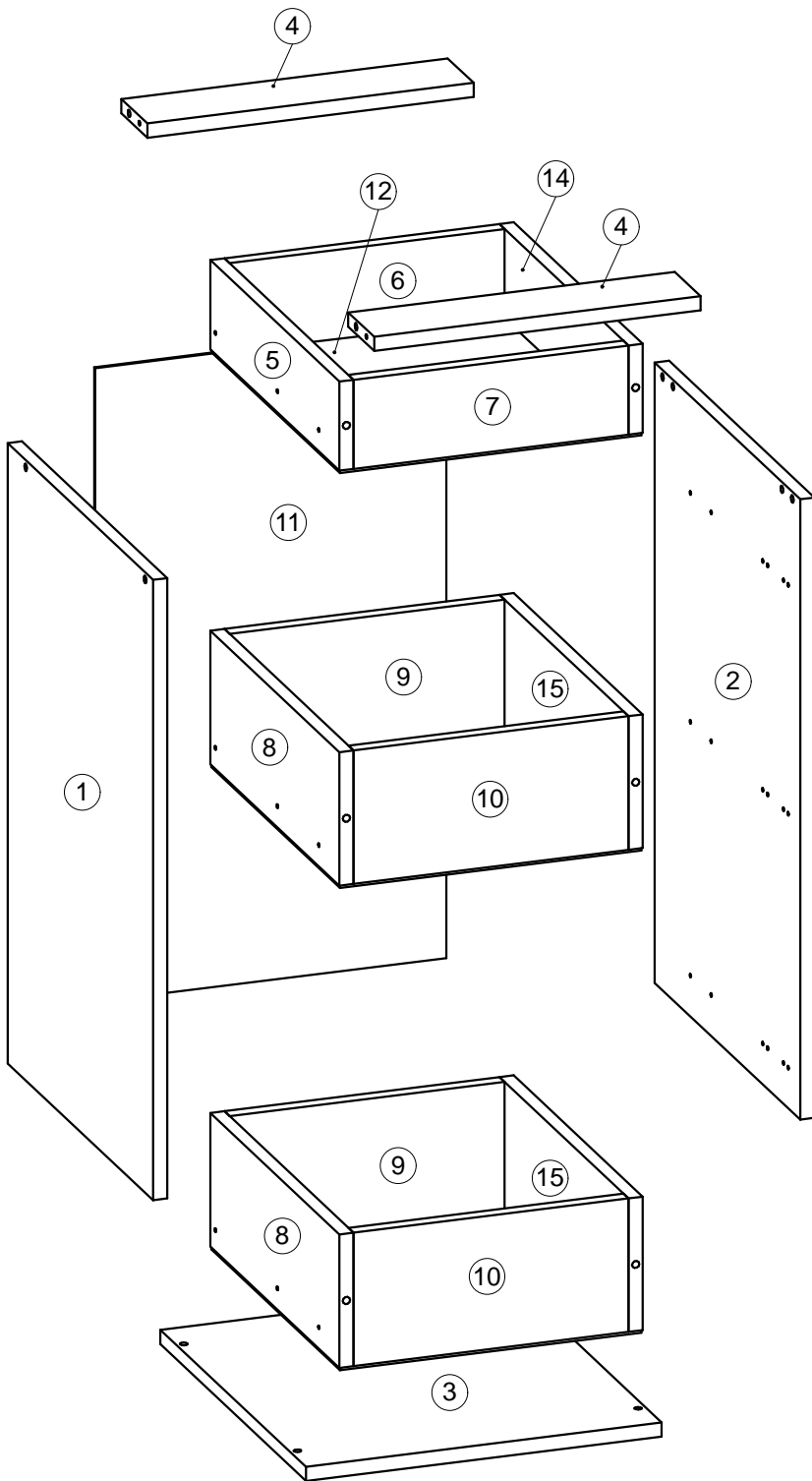
## DN№14 (400x715) 3Sh





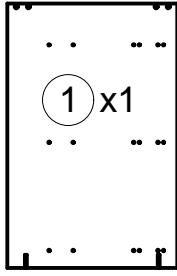


 Ø6,3x50 mm <b>A1 x 8</b>	 Ø12 mm <b>A2 x 8</b>	 4 mm <b>A3 x 1</b>	 Ø3x16 mm <b>D1 x 20</b>	 Ø4x16 mm <b>D2 x 36</b>
 Ø4x30 mm <b>D3 x 10</b>	 Ø8x30 mm <b>E x 2</b>	 Ø1,6x25 mm <b>F x 97</b>	 Ø8x36 mm <b>G x 34</b>	 <b>K x 3</b>
 <b>N x 4</b>	 50g <b>R x 1</b>	 <b>Y x 2</b>		

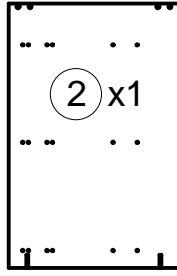


# Box

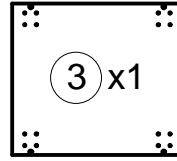
450x699x16 mm



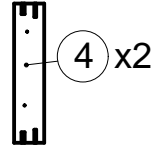
450x699x16 mm



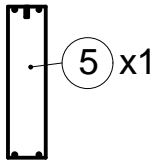
400x450x16 mm



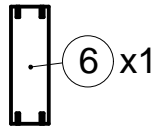
368x80x16mm



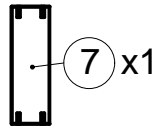
400x100x16 mm



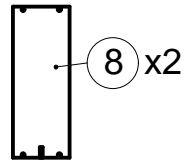
310x100x16 mm



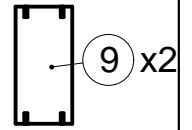
310x100x16 mm



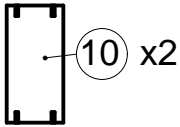
400x150x16 mm



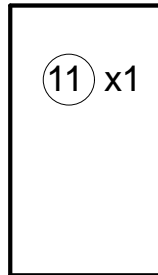
310x150x16 mm



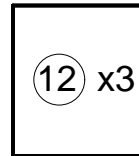
310x150x16 mm



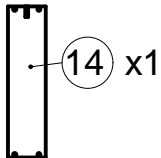
714x398x3 mm



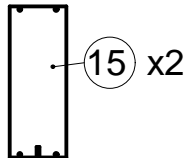
398x340x3 mm



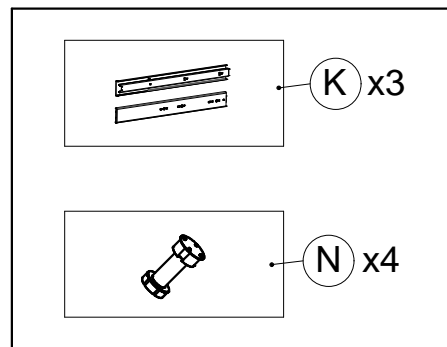
400x100x16 mm



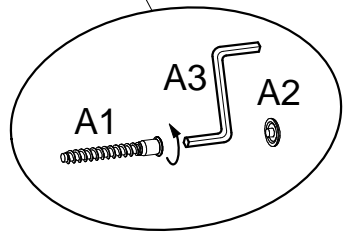
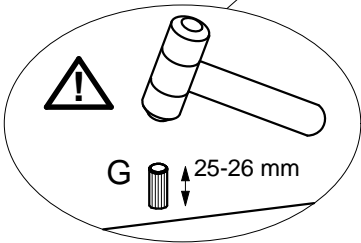
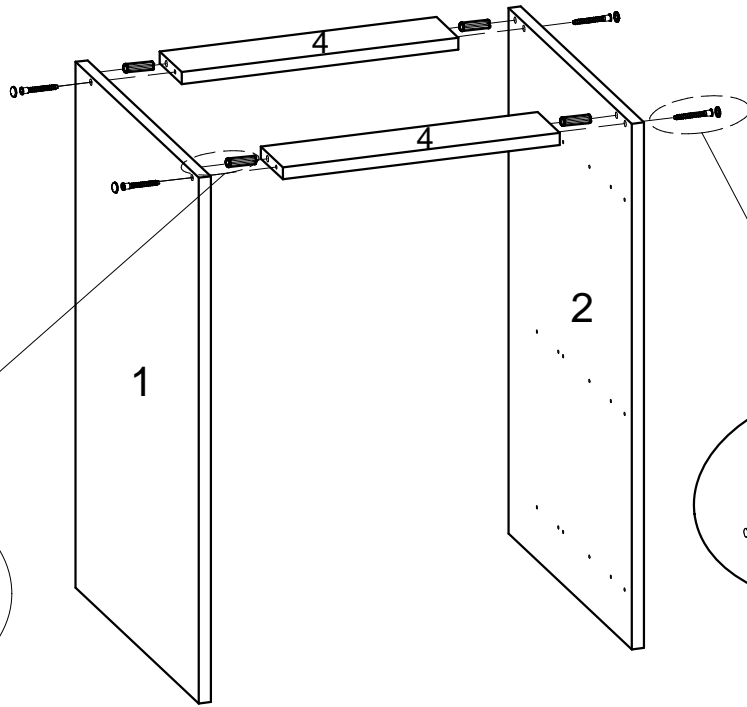
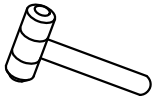
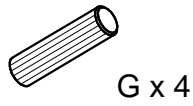
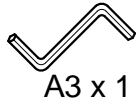
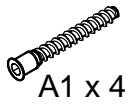
400x150x16 mm



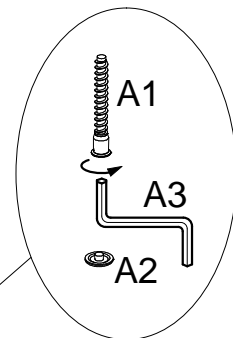
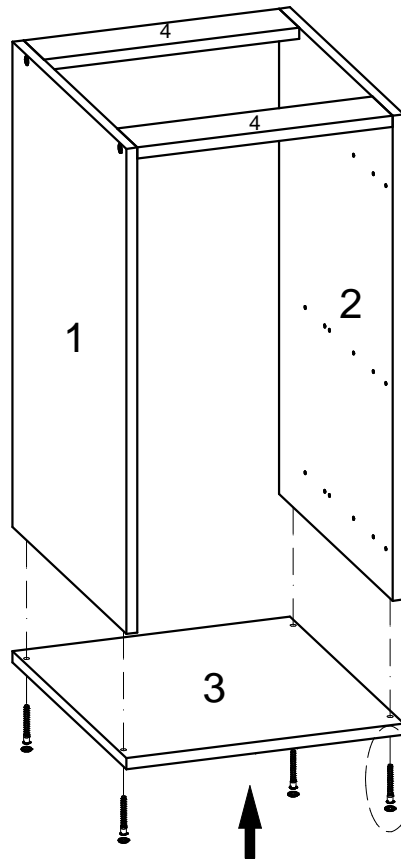
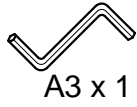
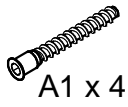
Fittings & Tools



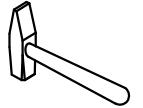
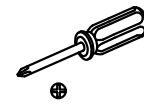
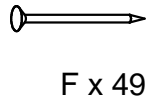
1



2



3

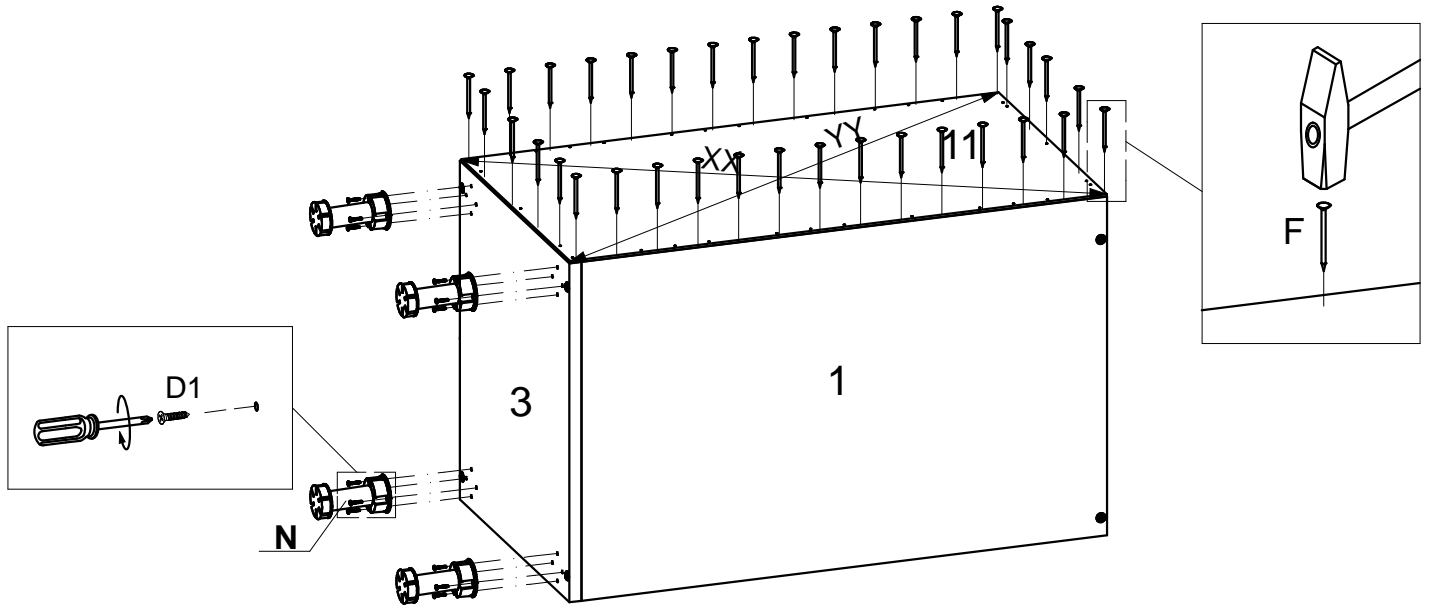


D1 x 16

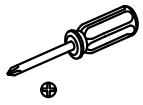
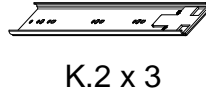
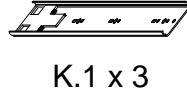
F x 49

N1 x 4

⚠ XX=YY≅90°



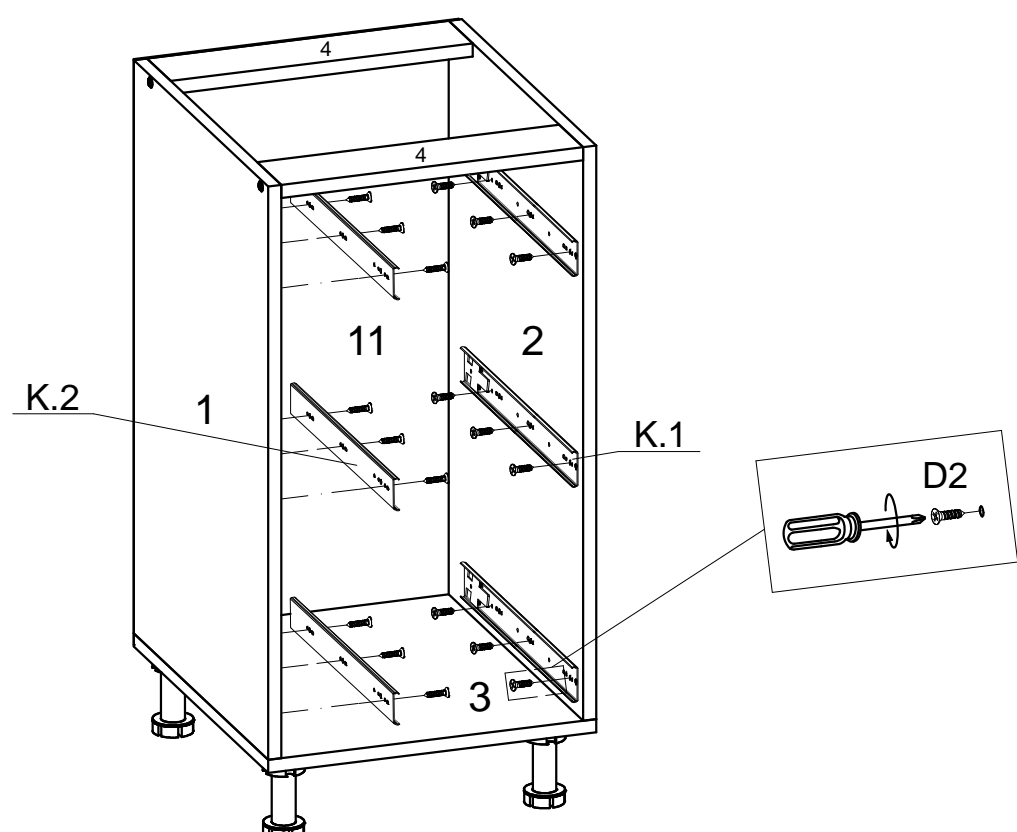
4



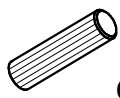
D2 x 18

K.1 x 3

K.2 x 3



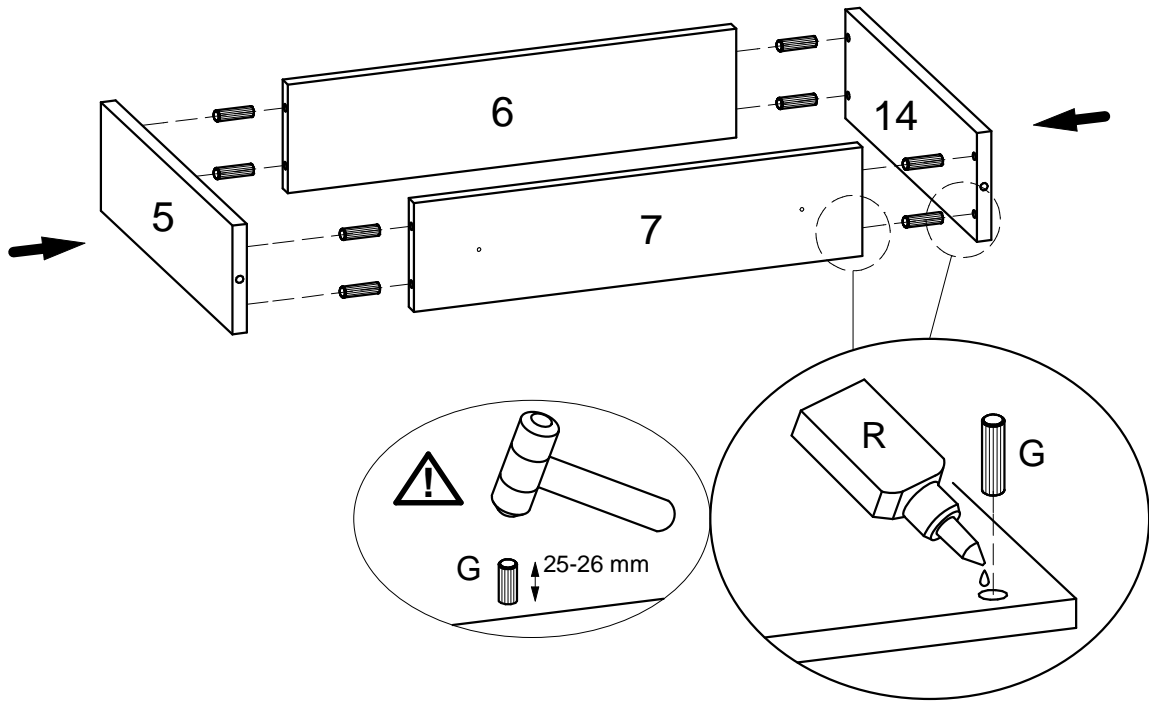
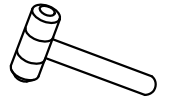
5



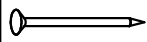
G x 8



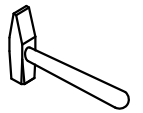
R x 1



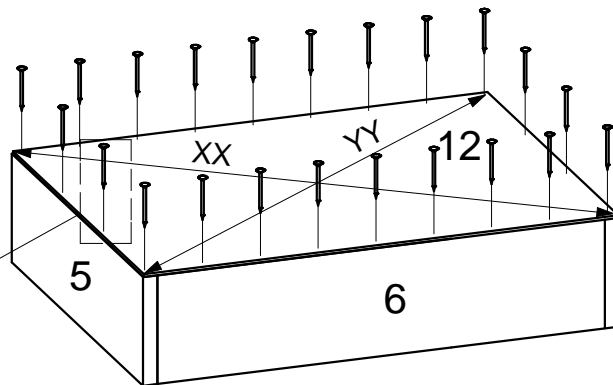
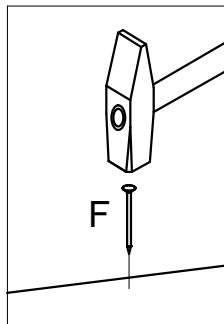
6



F x 16



!  $XX=YY\cong 90^\circ$





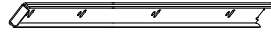
7



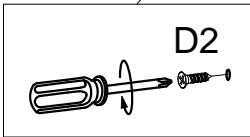
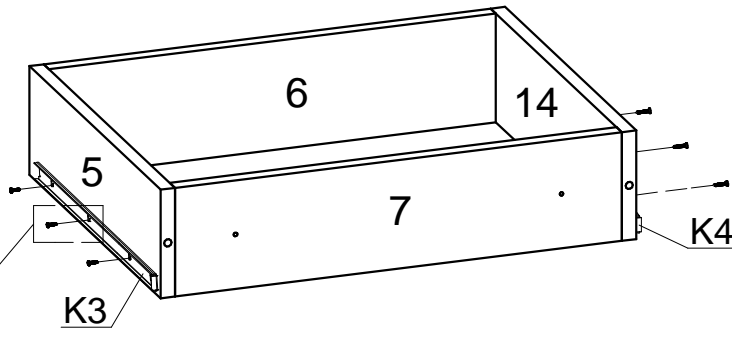
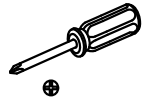
D2 x 6



K.3 x 1



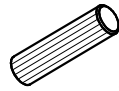
K.4 x 1



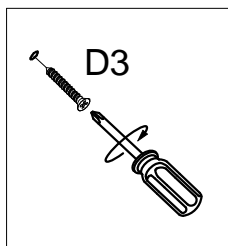
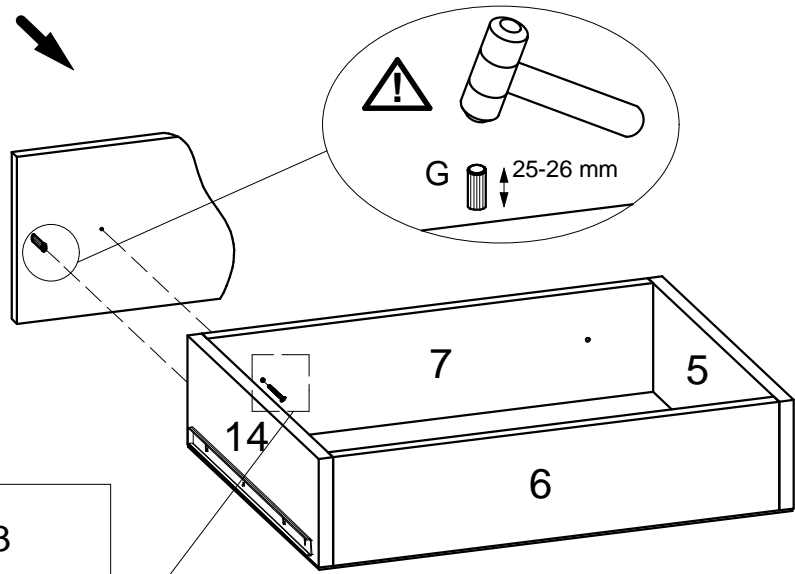
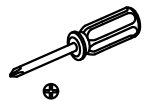
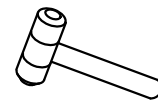
8



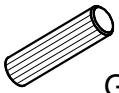
D3 x 2



G x 2



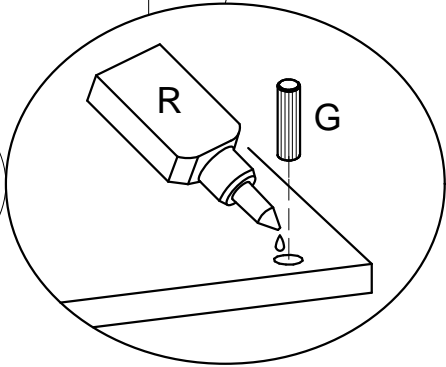
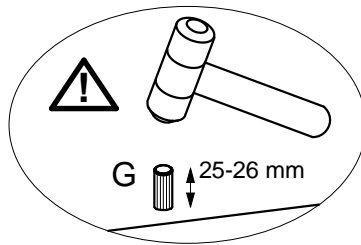
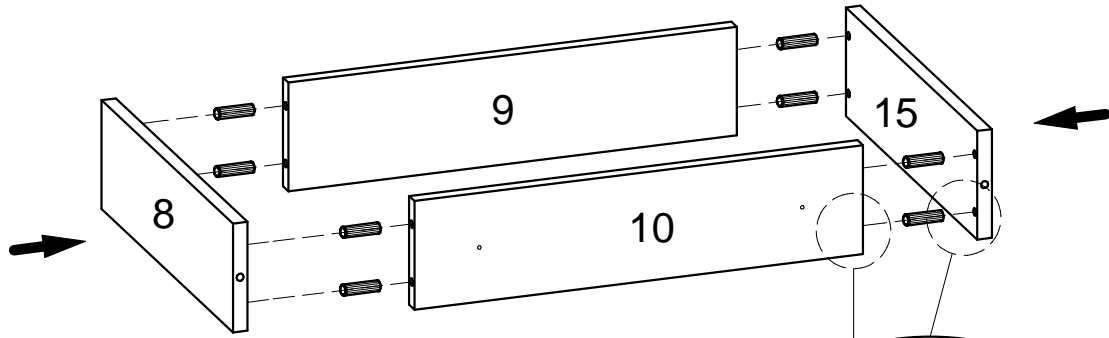
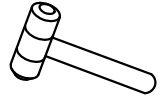
9



G x 16

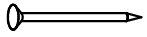


R x 1

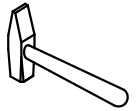


x 2

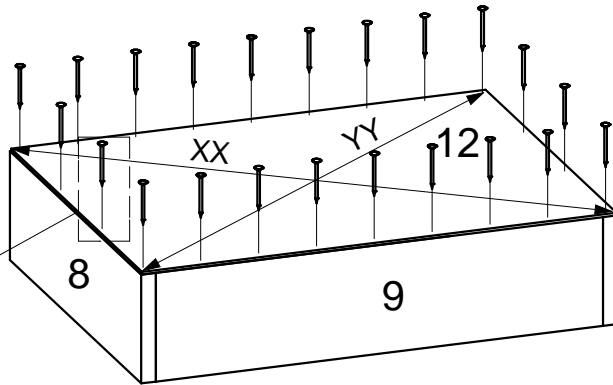
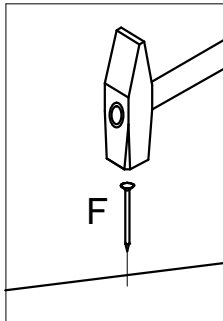
10



F x 32



!  $XX=YY \cong 90^\circ$



x 2

11



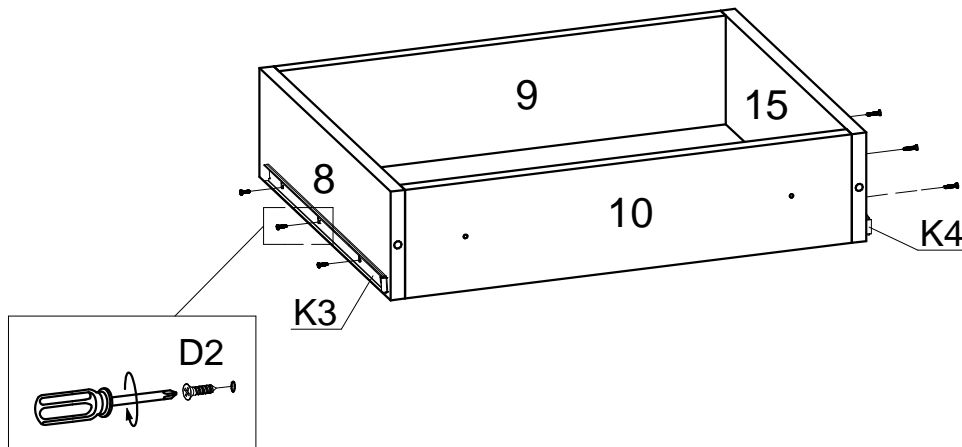
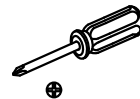
D2 x 12



K.3 x 2



K.4 x 2

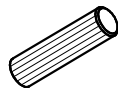


x 2

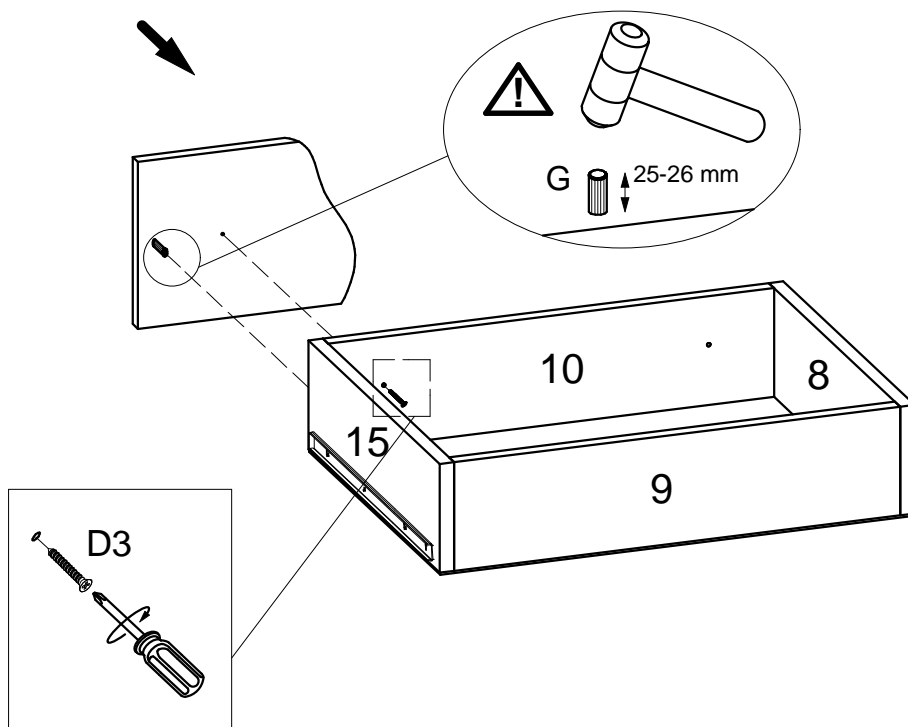
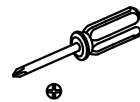
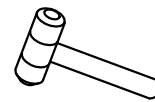
12



D3 x 4

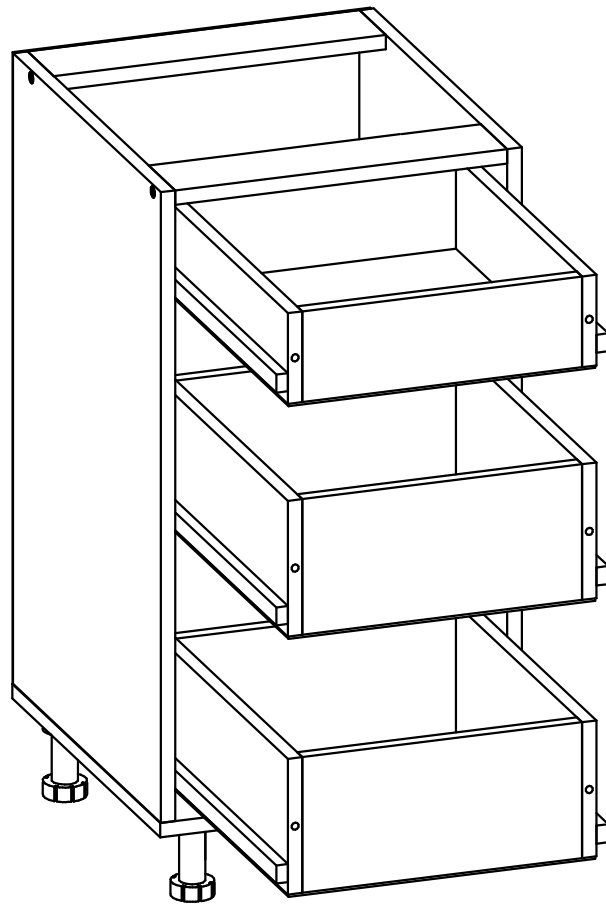


G x 4



x 2

13



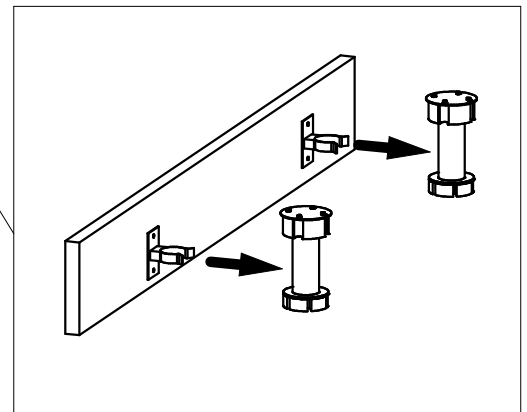
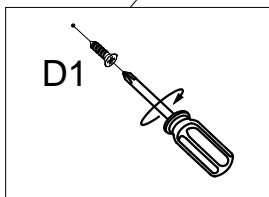
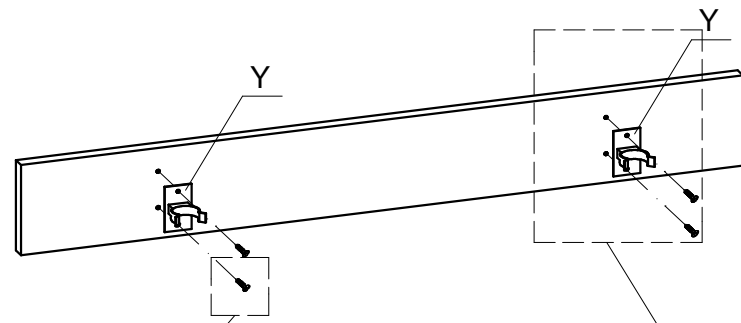
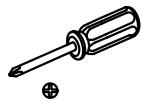
14



D1 x 4



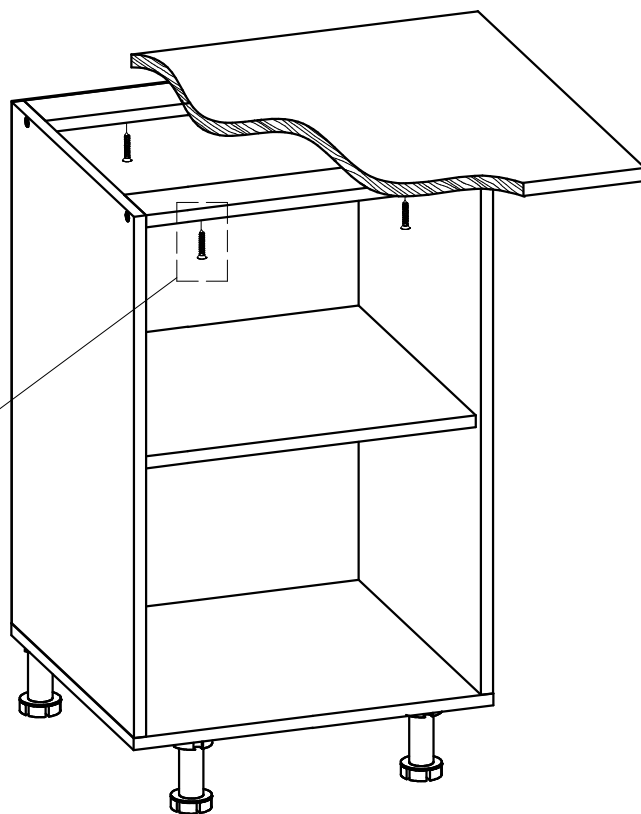
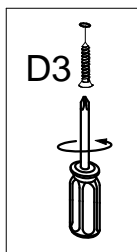
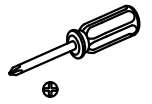
Y x 2



i

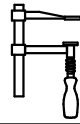


D3 x 4

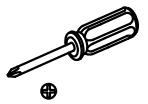
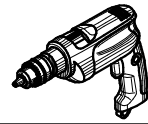




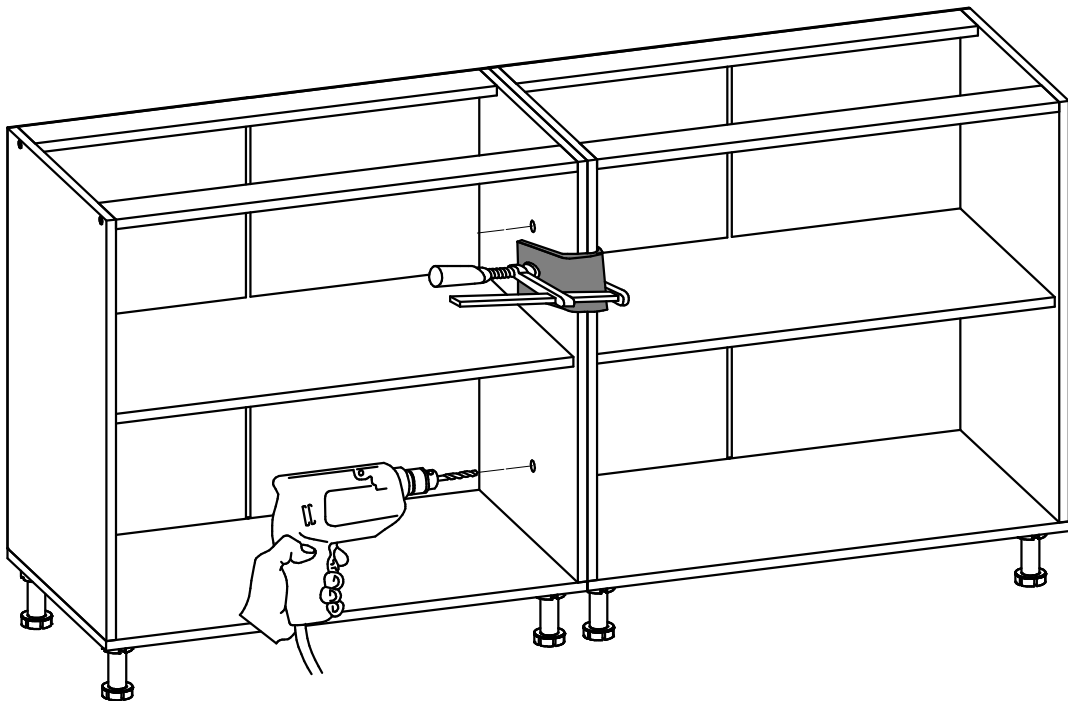
Ex 2



Ø8



1



2

